

VRT 3VIL VRT 5VIL VRT 8VIL SINGLE-PHASE VOLTAGE REGULATORS

- Model 3 A/0.6 kW or 5 A/1 kW or 8 A/1.6 kW
- Microprocessor-controlled start-up
- Microprocessor-controlled set point variation
- On/Off switch for lighting control
- Adjustable minimum voltage
- Overvoltage and overload protection
- EMC filtering
- IP 54 Protection

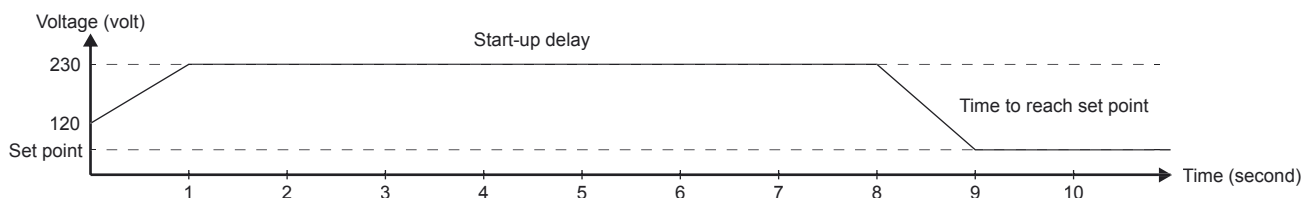


GENERAL DESCRIPTION

VRT *VIL operate on the principle of conduction angle. A microprocessor based control system provides optimal control of the power semiconductor, increasing the range and stability of the output voltage.

VRT *VIL are designed to control electric fans and ventilation units. Their specific start cycle produces rapid airflow.

VRT *VIL have an additional on/off switch controlling a 230 Vac supply that can be used for kitchen hood lighting or other auxiliaries.



SPECIFICATIONS

POWER SUPPLY

Voltage	230 Vac \pm 15 %
Frequency	50 Hz \pm 2 Hz
Power consumption (without charge)	30 mA
Protection	Overvoltage / overload

LOAD OUTPUT

Voltage	From 0 to 98 % of power supply
Frequency	50 Hz \pm 2 Hz

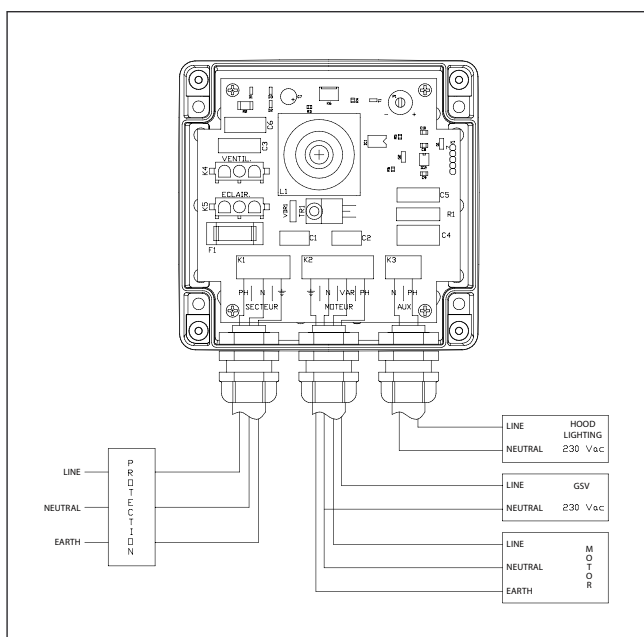
OPERATING/STORAGE TEMPERATURES

Storage temperature range	-10 °C to +60 °C
Operating temperature range	-10 °C to +45 °C

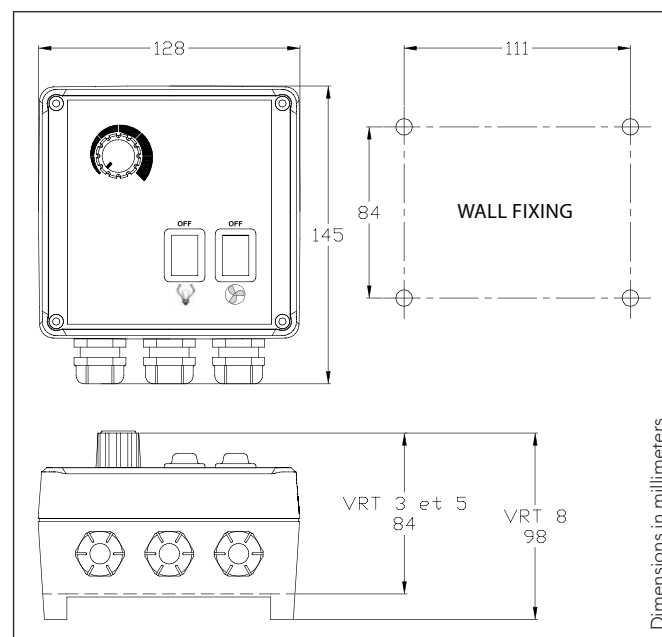
MECHANICAL ENVIRONMENT

Protection	IP 54 (EN 60-529)
Dimensions VRT 3VIL	145 x 128 x 84 mm
Dimensions VRT 5VIL	145 x 128 x 84 mm
Dimensions VRT 8VIL	145 x 128 x 98 mm
Material	ABS UL94-V0
Color	RAL 9010
Connection	Cable 3 x 2.5 mm ² max
Fixing	4 screws, max diameter 4 mm
Compliance with EMC directive	89/336/CEE
Compliance with LV directive	73/23/CEE

CONNECTION



SIZE



SUMMARY

Reference	Power	Max current	Fuse	Weight
VRT 3VIL	600 W	3 A	5 x 20 mm 3.15 A Type T	0.450 Kg
VRT 5VIL	1000 W	5 A	5 x 20 mm 6.3 A Type T	0.480 Kg
VRT 8VIL	1600 W	8 A	5 x 20 mm 10.0 A Type T	0.620 Kg